

 **Lima Corporate**
Orthopaedic  motion



SMR

ALWAYS THE BEST OPTION

Shoulder **M**odular **R**eplacement ALWAYS THE BEST OPTION



36 mm Eccentric Reverse

A 3D cutaway illustration of a shoulder prosthesis. It features a dark brown, reverse-engineered humeral head with a white, eccentric acetabular cup. The humeral head is connected to a dark brown stem with a textured, cylindrical upper section. The acetabular cup is white and has a distinctive shape with a central protrusion.



CTA with Cementless Revision System

A 3D cutaway illustration of a shoulder prosthesis. It shows a dark brown humeral head with a white, semi-circular acetabular cup. The humeral head is connected to a dark brown stem with a textured, cylindrical upper section. The acetabular cup is white and has a distinctive shape with a central protrusion.



CTA with Large Resection System

A 3D cutaway illustration of a shoulder prosthesis. It shows a dark brown humeral head with a white, semi-circular acetabular cup. The humeral head is connected to a dark brown stem with a textured, cylindrical upper section. The acetabular cup is white and has a distinctive shape with a central protrusion.

Always the Best Option

All options available, from resurfacing to revision

Easy Conversion

"Final tuberosity malposition occurred in 33 patients (50%) and was correlated with an unsatisfactory result, superior migration of the prosthesis, stiffness or weakness, and persistent pain"²

Shoulder pathology may evolve, so the SMR Shoulder System allows an easy change from anatomical to reverse leaving the stem and the metal back in situ: the stem and the metal back are the same for both anatomical and reverse

Intraoperative Flexibility

Through a step-by-step assembly, the SMR Shoulder System lets you find the right stem (cemented or press-fit) and the right solution (anatomical or reverse) for the patient

"Variations in the medial offset are of paramount importance in the design of humeral prosthetic components"¹

"The frontal radius of the head ranged between 21 mm and 26.5 mm"¹

In trauma cases, *"Malposition of the prosthesis, either in height and/or in retroversion, is significantly correlated with a poor functional result"²*

The SMR Shoulder System, thanks to 8 head diameters and 25 eccentricity options, allows an accurate restoration of humeral anatomy

The SMR Trauma allows to choose between 3 humeral body sizes and permits to choose the retroversion intraoperatively, in order to facilitate the restoration of the right implant height and version



Resurfacing

Trauma

Total Anatomic

REVERSE It can host poly and metal liners



ELECTIVE
With Hydroxyapatite coating



TRAUMA
With holes and medial polished groove for suture wires

ANATOMIC It can be used with anatomical and CTA heads



ELECTIVE
With fins



TRAUMA
In 3 heights and with holes for suture wires

FIRST IMPLANT



CEMENTED
80 mm length, 5 sizes



CEMENTLESS
80 mm length, 11 sizes and mini stems option

REVISION



CEMENTED
150, 180 or 210 mm length, 6 sizes



CEMENTLESS
150 or 180 mm length, 8 sizes

Humeral Body

Choose the option you need according to the surgery – elective or trauma, anatomic or reverse



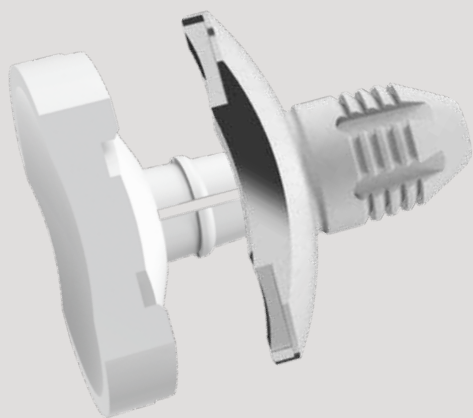
Stem

All options available:
first implant
and revision,
cemented and not



Glenoid

4 sizes in combination with a proven clinical performance offer the best solutions for glenoid replacement



POLYETHYLENE LINER

X-Lima Crosslinked Polyethylene ensures low wear and longest survivorship of the implant



36 mm METAL GLENOSPHERE

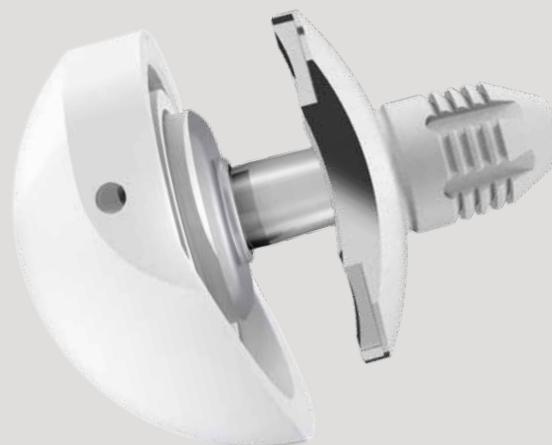
Choose between Standard and Eccentric version

SMR

Always the Best Option

Welcome to the 4th generation of shoulder replacement

A truly modular shoulder system to cover all indications, from resurfacing to reverse



X-LIMA POLYETHYLENE GLENOSPHERE

Large diameter ensures high stability and scapular notch prevention

Clinical Cases



Resurfacing

Anatomical resurfacing implant on a 65 years old woman with arthrosis.



Anatomic

Total anatomic implant on a 68 years old man with osteoarthritis.



Reverse

44 mm reverse implant on a 78 years old woman with disabling shoulder with cuff tear arthropathy.



Revision

Revision for periprosthetic fracture 3 years after the first implant; implantation of reverse and cementless revision stem.

Bibliography

1. Geometry of the proximal humerus and implications for prosthetic design of Ralph Hertel, Ulf Knothe, and Franz T. Ballmer, JSES 2002;11:331-8
2. Tuberosity malposition and migration: Reasons for poor outcomes after hemiarthroplasty for displaced fractures of the proximal humerus of P. Boileau, S. G. Krishnan, L. Tinsi, G. Walch, J. S. Coste, and D. Mole, JSES 2002;11: 401-12

Lima-Lto spa

Via Nazionale, 52
33038 Villanova di San Daniele
Udine - Italy
Tel.: +39 0432 945511
Fax: +39 0432 945512
E-mail: info@lima.it
www.lima.it

Lima Implantés slu

Entenza 95 - 3^o - 1^a
08015 Barcelona - Spain
Tel.: +34 93 228 9240
Fax: +34 93 426 1603
E-mail: lima@limaimplantés.com
www.limaimplantés.com

Lima France sas

Les Espaces de la Sainte Baume
Parc d' Activité de Gemenos - Bât.A5
30 Avenue du Château de Jouques
13420 Gemenos - France
Tel: +33 (0) 4 42 01 63 12
Fax: +33 (0) 4 42 04 17 25
E-mail: info@limafrance.com
www.limafrance.com

Lima O.I. doo

Maksimirska, 103
10000 Zagreb - Croatia
Tel.: +385 (0) 1 2361 740
Fax: +385 (0) 1 2361 745
E-mail: lima-oi@lima-oi.hr
www.lima-oi.hr

Lima Switzerland sa

Birkenstrasse, 49
CH-6343 Rotkreuz - Zug
Switzerland
Tel: +41 (0) 41 747 06 60
Fax: +41 (0) 41 747 06 69
E-mail: info@lima-switzerland.ch
www.lima-switzerland.ch

Lima Japan kk

Koshin Building 8F.
4-5-1 Nishi-shinjyuku, Shinjyuku,
Tokyo 160-0023 - Japan
Tel.: +81 3 5350 0755
Fax: +81 3 5350 0766
www.lima-japan.com

Lima CZ sro

Do Zahrádek I., 157/5
155 21 Praha 5 – Zli ěn – Czech Republic
Tel.: +420 222 720 011
Fax: +420 222 723 568
E-mail: info@limacz.cz
www.limacz.cz

Lima Deutschland GmbH

Kapstadtring 10
22297 Hamburg - Germany
Tel.: +49 40 6378 4642
Fax: +49 40 6378 4649
E-mail: info@lima-deutschland.com
www.lima-deutschland.com

Lima Austria GmbH

Ignaz-Köck-Strasse 10 / Top 3.2
1210 Wien - Austria
Tel.: +43 (1) 2712 469
Fax: +43 (1) 2712 469 100
E-mail: info@lima-austria.at
www.lima-austria.at

Lima SK s.r.o.

Zvolenská cesta 14
97405 Banská Bystrica - Slovakia
Tel.: +421 484 161 133
Fax.: +421 484 161 138
E-mail: info@lima-sk.sk
www.lima-sk.sk

Lima Netherlands B.V.

Bergweg 153 A
Zeist - The Netherlands
Tel.: +31 30 6912088
Fax: +31 30 6919736

Lima Implantés Portugal Lda

Rua Antonio Albino Machado 35 I
1600-256 Lisbon – Portugal
Tel.: +35 121 727 233 7
www.limaportugal.com

Lima Orthopaedics Australia Pty Ltd

Unit 1, 40 Ricketts Rd
Mt Waverley 3149
Victoria - Australia
Phone: +61 (03) 9543 2840
Fax: +61 (03) 9543 4003

Lima Orthopaedics New Zealand Pty Ltd

300 Great South Road
Greenlane
Auckland - New Zealand
Phone: +64 (09) 531 5522
Fax: +64 (09) 522 3380

Lima UK

United Kingdom

Hit Medica srl

Via san Gregorio 11/13
47900 Rimini - Italy
Tel.: +39 0541 781422/781672
Fax: +39 0541 781053
E-mail: info@hitmedica.it
www.hitmedica.it

B.1302.83.000.1

100900

